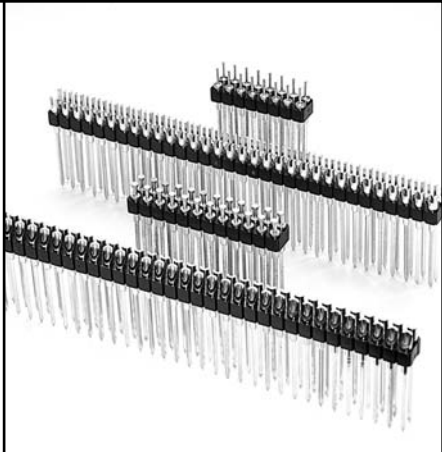


- Series 453, 463, 473, and 483 double row Header strips come with various styles (pin, slotted head, turret and solder cup) with wrapost tails.
- 453...001 uses pin #5301
- 463...001 uses pin #1106-3
- 473...001 uses pin #0730-3
- 483...001 uses pin #8301-3
- See pages 184 & 185 for details.
- Insulators are high temp. thermoplastic.



Ordering Information

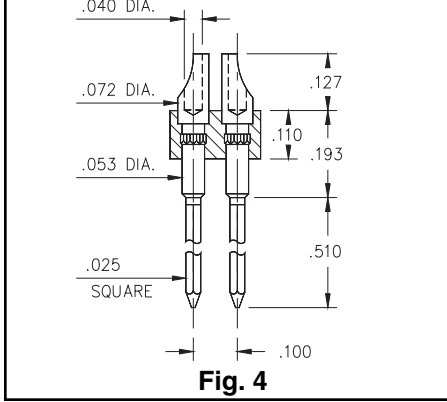
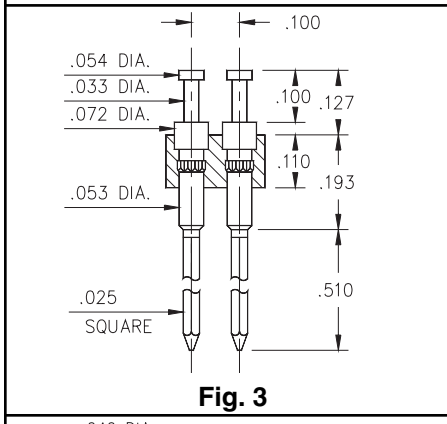
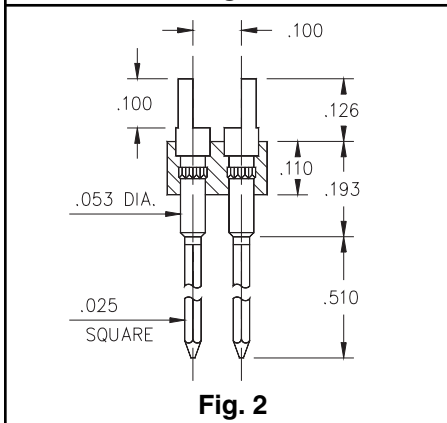


Fig. 1	Series 453...001 Pin / 3 Level Wrapost
	453-XX-2__-00-001000 Specify # of pins → 02-64
Fig. 2	Series 463...001 Slotted Head / 3 Level Wrapost
	463-XX-2__-00-001000 Specify # of pins → 02-64
Fig. 3	Series 473...001 Turret / 3 Level Wrapost
	473-XX-2__-00-001000 Specify # of pins → 02-64
Fig. 4	Series 483...001 Solder Cup / 3 Level Wrapost
	483-XX-2__-00-001000 Specify # of pins → 02-64

For RoHS compliance select ◊ plating code.

XX=Plating Code See Below



SPECIFY PLATING CODE XX=	10 ◊	90	40 ◊	
Pin Plating	10μ" Au	200μ" Sn/Pb	200μ" Sn	